

Uniclass L384	EPIC C441
CI/SfB (22.3)	x
April 2016	

# Quartz 54

Frameless Glazing



# Quartz 54

Frameless Glazing



*Quartz 54 showing flush corner detail*

Slimline double glazing for minimal aesthetic with the benefit of high acoustic resistance.

Integrated with the Quartz slimline door frame and either glass and timber swing doors or Quartzglide 2 glass sliding doors, the interior designer can achieve the look and performance



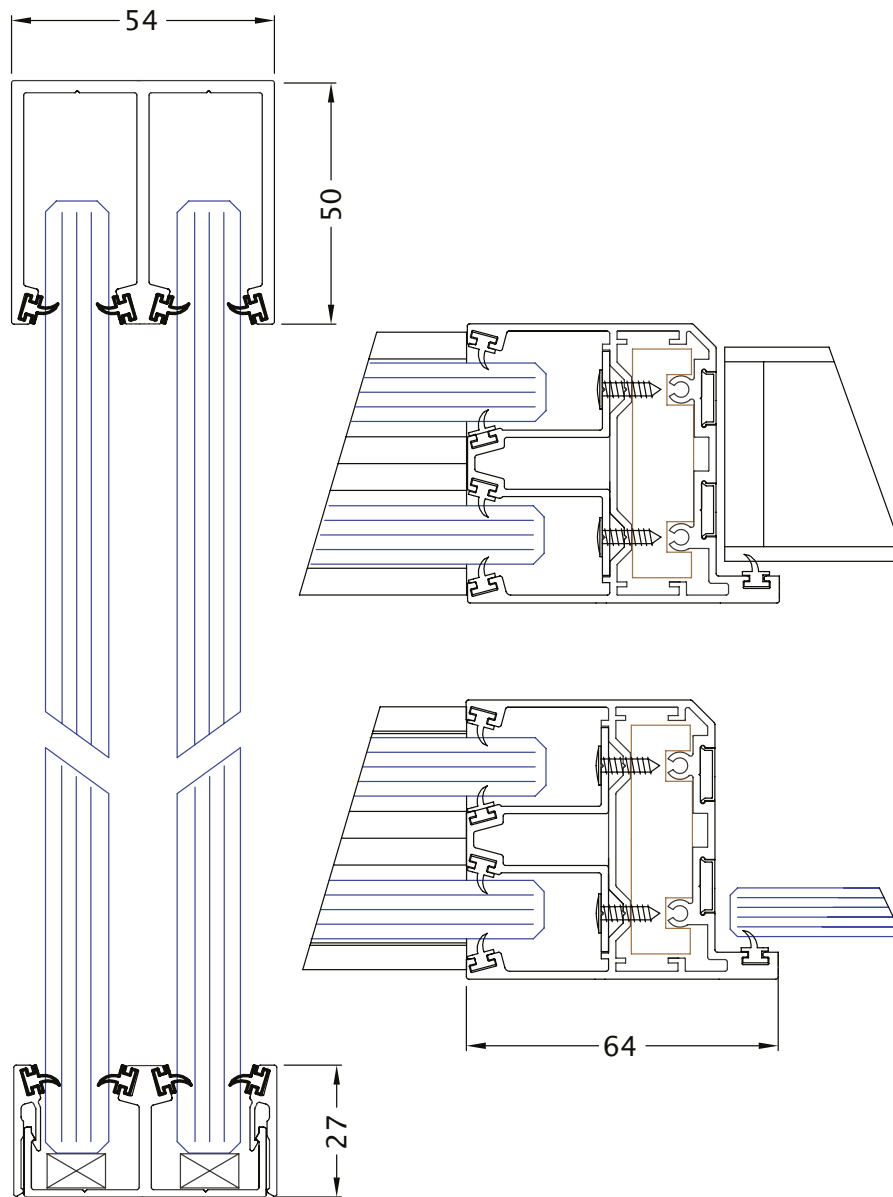
*Quartz 54 with full height glass doors*



*Quartz 54 with manifestation*

# Quartz 54

Frameless Glazing - Technical specifications



## Quartz 54 Frameless Glazing

Polyester powder coated aluminium tracks  
'I' section or 'H' section dry joints  
Glass or timber doors  
Choice of RAL colours

### Technical Specifications:

54 mm wide double glazed  
Glass thickness 10-12.8 mm  
Standard tracks 54 mm x 27 mm  
Deep deflection head track 54 mm x 50 mm  
Slimline door frame 58mm x 64 mm  
Acoustic sound resistance up to 43Rw(dB)

Apton Partitioning Limited  
Unit 3 Cannon Business Park Gough Road Coseley West Midlands WV14 8XR  
tel: +44 (0)1902 385 250 fax: +44 (0)1902 385 255  
[www.apton-partitioning.com](http://www.apton-partitioning.com)  
email: [enquiries@apton-partitioning.com](mailto:enquiries@apton-partitioning.com)

# Quartz 54

Frameless Glazing

[www.apton-partitioning.com](http://www.apton-partitioning.com)



Designed and manufactured by Apton  
Partitioning Limited in the UK

**Apton**